

aquatica®

Function : Form : Fashion



*Wave RC-250/80*

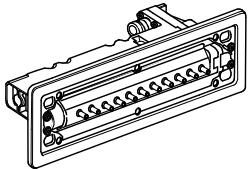

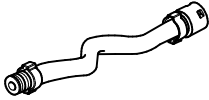



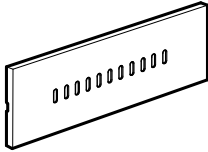
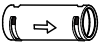
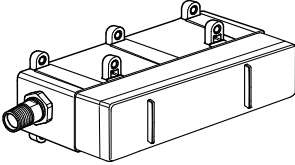
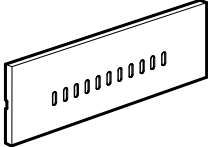
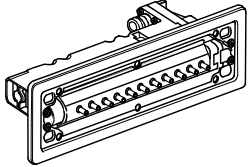
**Body Shower**

**Installation & Care Manual  
Europe / International**

# Wave RC-250/80

## Body Shower

### PARTS LIST

		Wave RC-250/80-A	Wave RC-250/80-B
		x 1	
 L = 145 mm		x 1	x 1
 L = 155 mm		x 1	x 1
 4,2 x 32		x 6	x 6
		x 4	x 4
 3,9 x 45		x 6	x 6
			x 1
		x 1	x 1
		x 1	x 1
		x 1	
			x 1



| GB | Flow rate



| GB | Wear protection



| GB | Plumbing specifications



| GB | Operating pressure



| GB | Water temperature

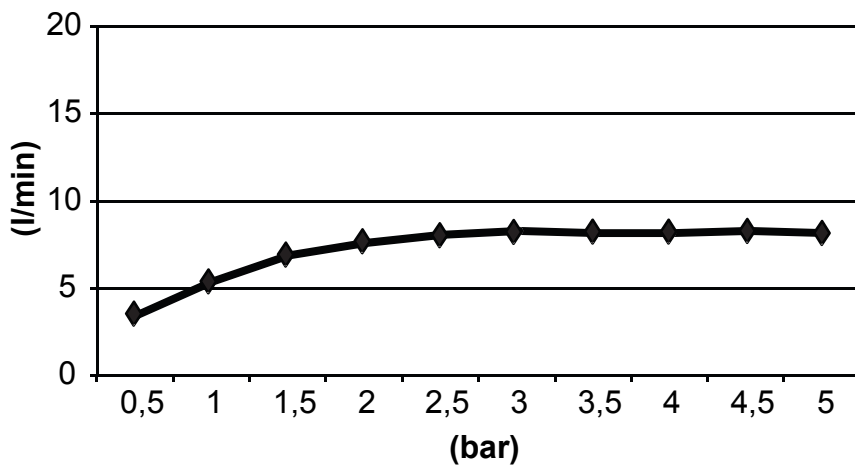
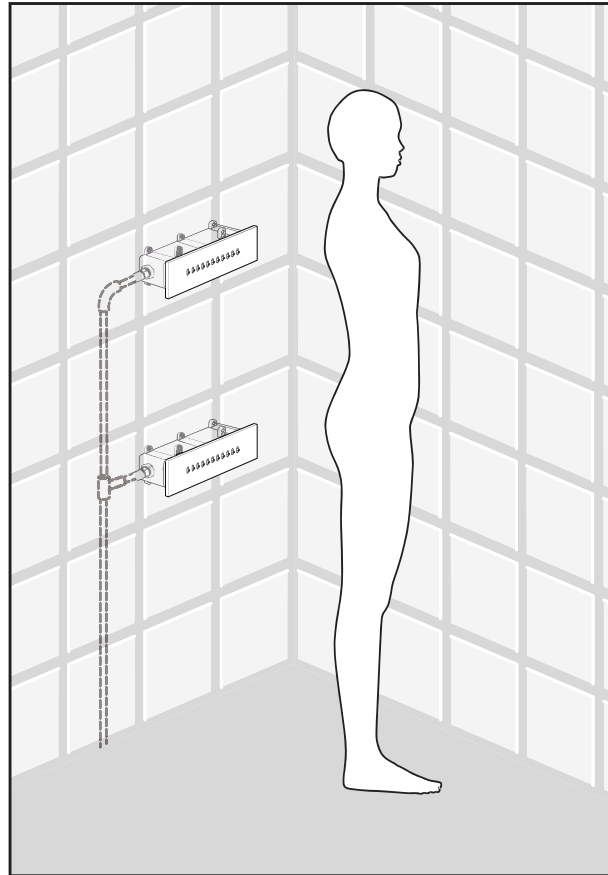
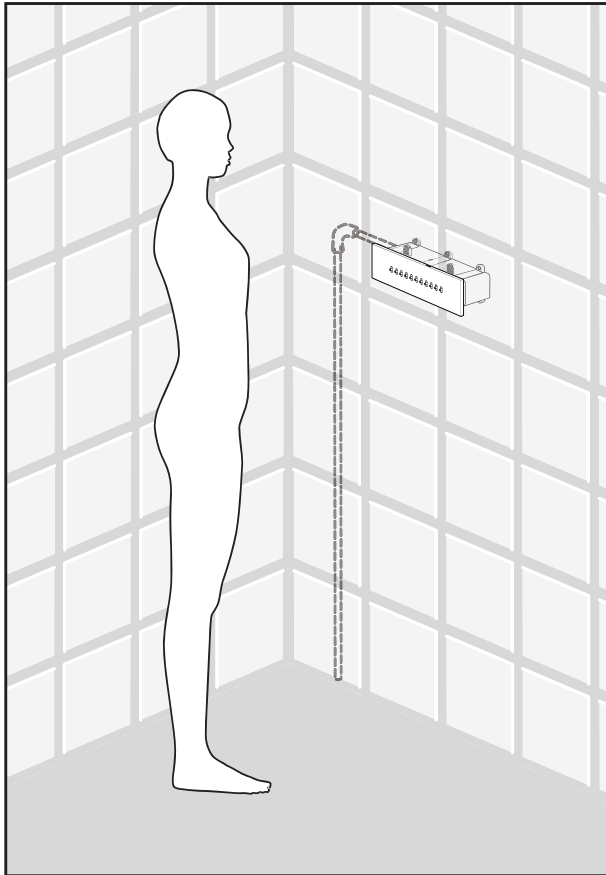
# Wave RC-250/80

Body Shower

INSTALLATION SEQUENCE Wave RC-250/80-B

aquatica®

Function : Form : Fashion



	MIN. 12 L/min
	MIN 1 Bar MAX 5 Bar <b>BEST 3 Bar</b>
	MAX 70° C <b>BEST 38°/40° C</b>

Bar	0,5	1	1,5	2	2,5	3	3,5	4	4,5	5
L/min	4,1	5	7,8	7,7	8,1	8,3	8,2	8,2	8,3	8,2

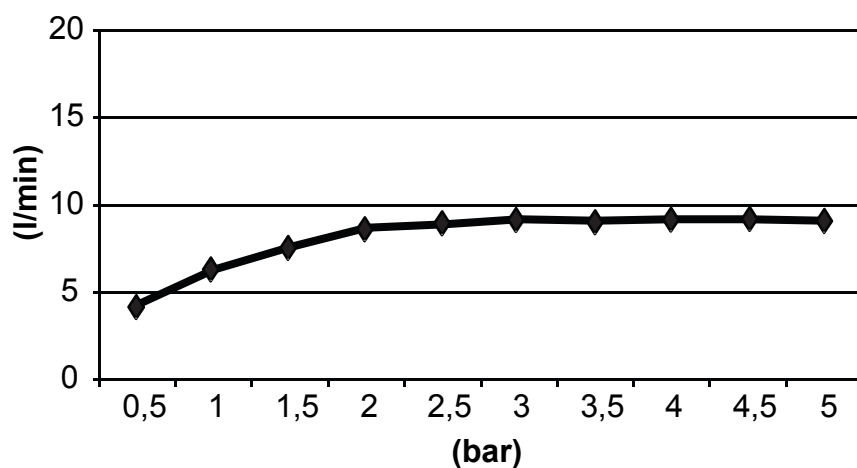
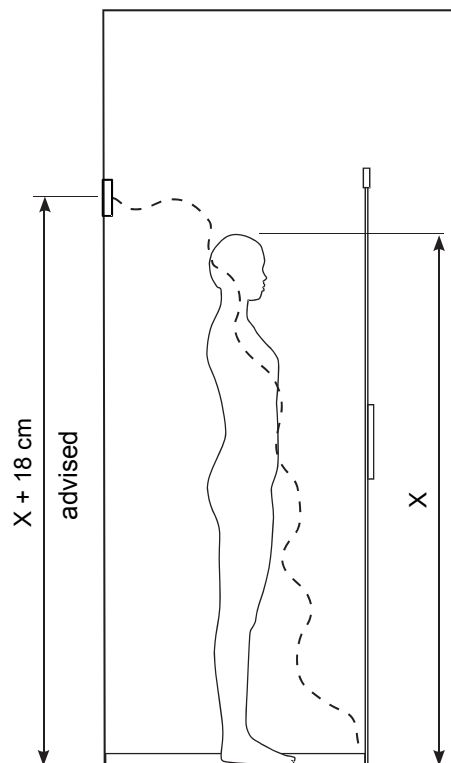
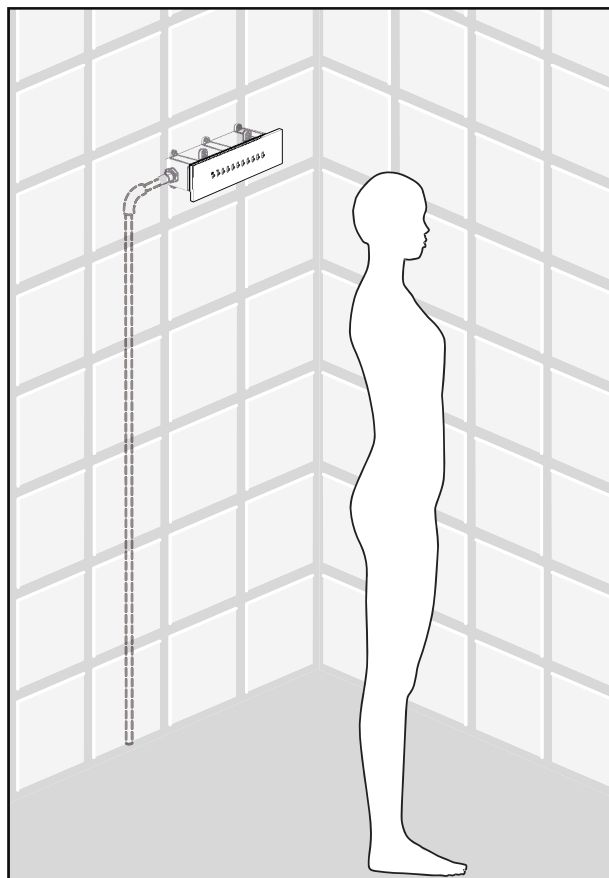
aquatica®

Function : Form : Fashion

# Wave RC-250/80


## Body Shower

### INSTALLATION SEQUENCE Wave RC-250/80-A




-  MIN. 18 L/min

---

-  MIN 1 Bar  
MAX 5 Bar  
**BEST 3 Bar**

---

-  MAX 70° C  
**BEST 38°/40° C**

Bar	0,5	1	1,5	2	2,5	3	3,5	4	4,5	5
L/min	4,3	6,3	7,6	8,7	8,9	9,2	9,1	9,2	9,2	9,1

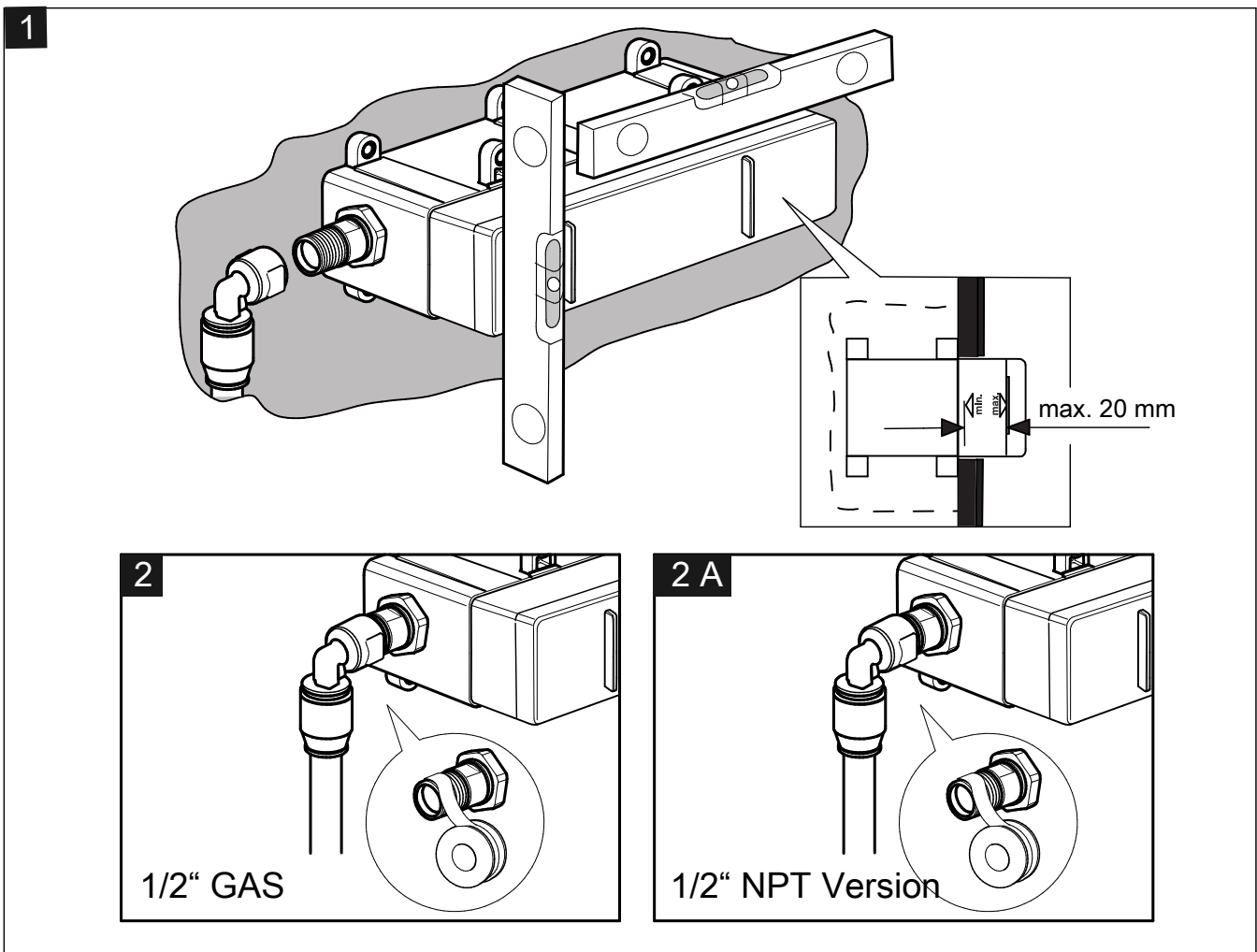
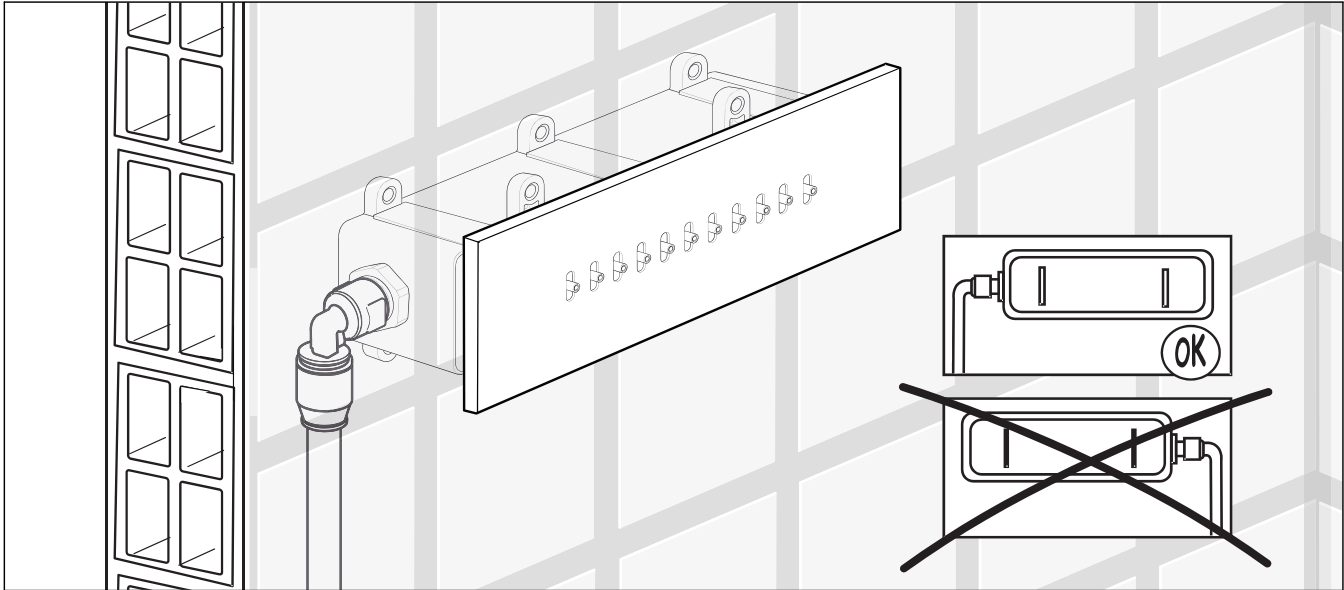
# Wave RC-250/80

Body Shower

INSTALLATION SEQUENCE

aquatica®

Function : Form : Fashion



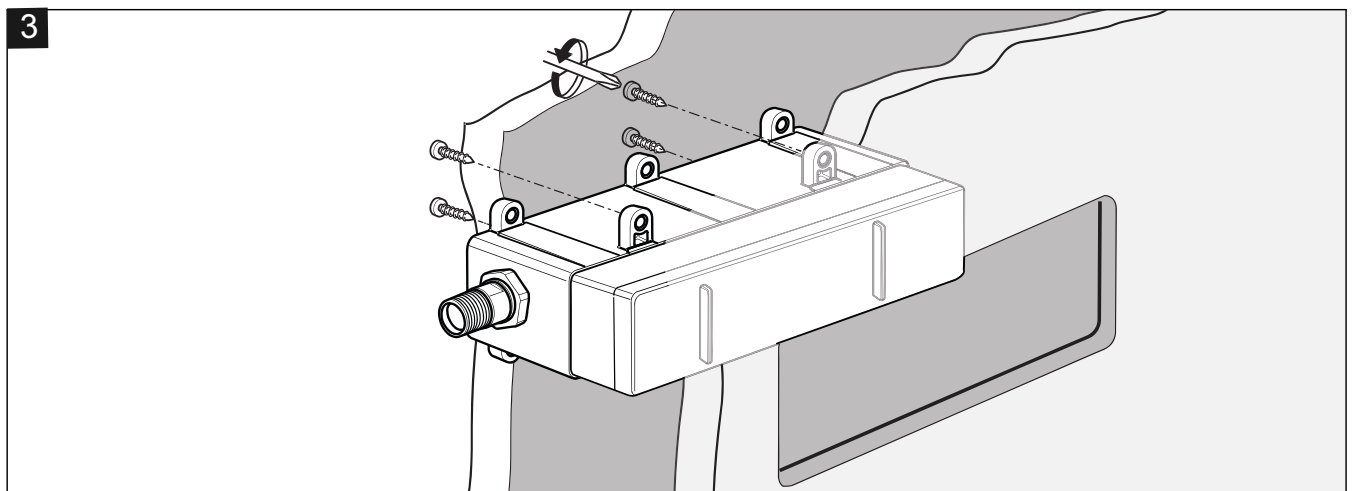
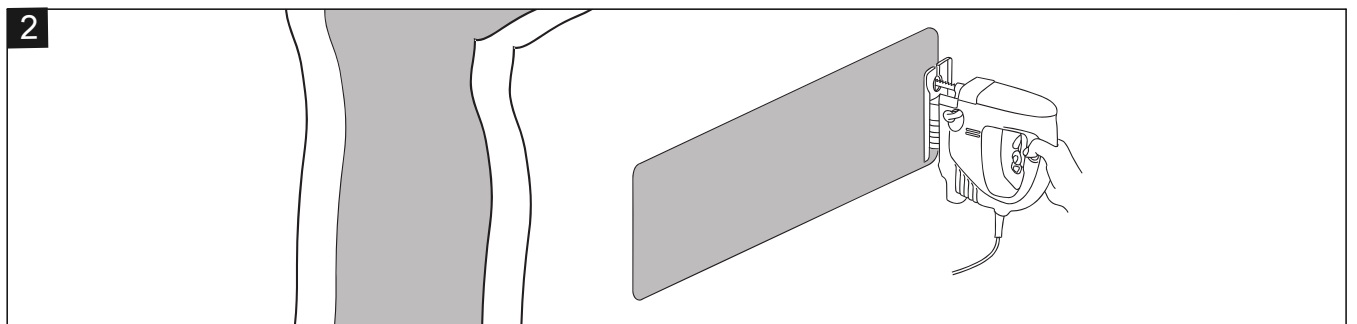
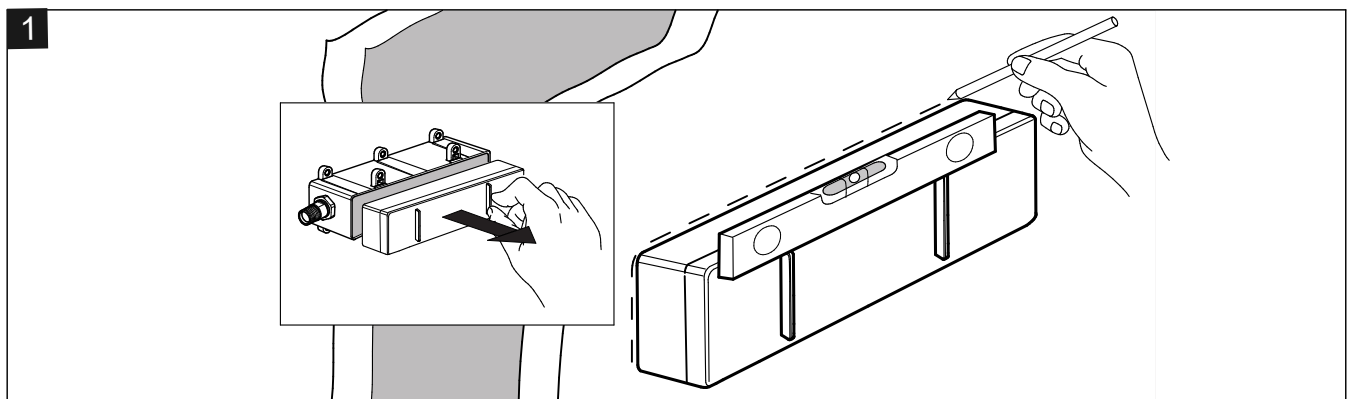
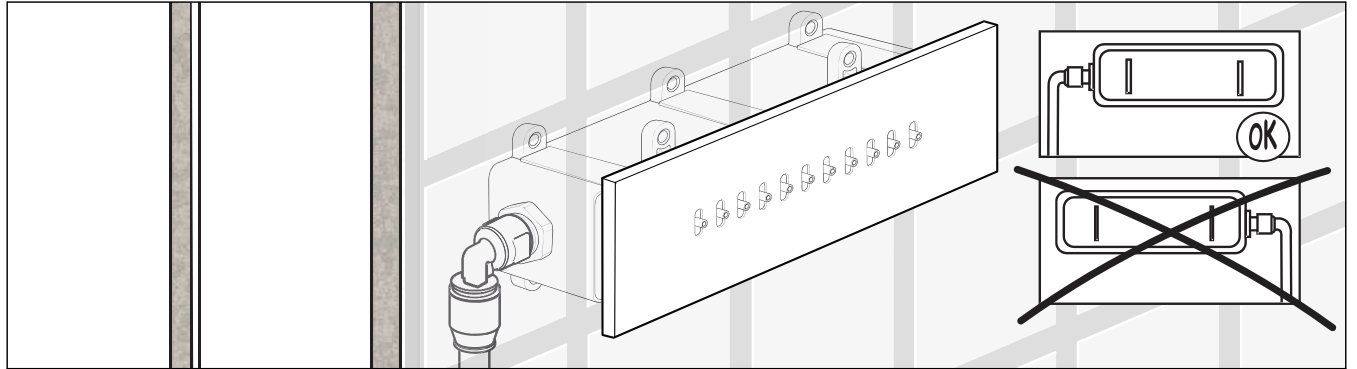
aquatica®

Function : Form : Fashion

# Wave RC-250/80

## Body Shower

### INSTALLATION SEQUENCE continued



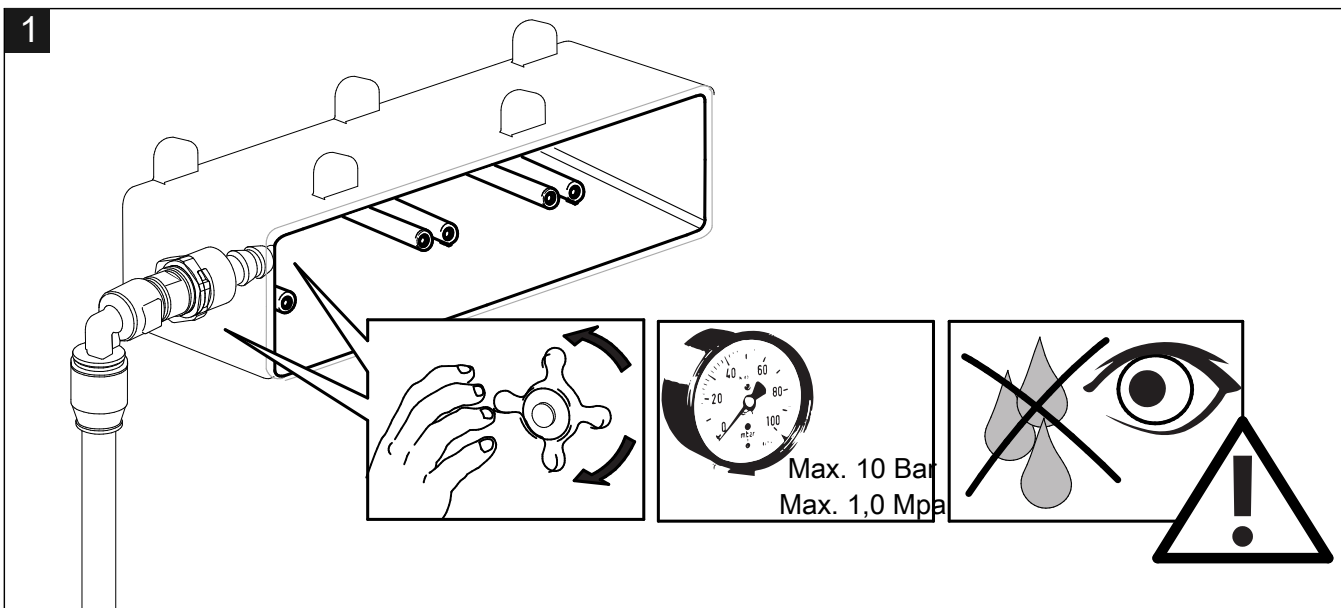
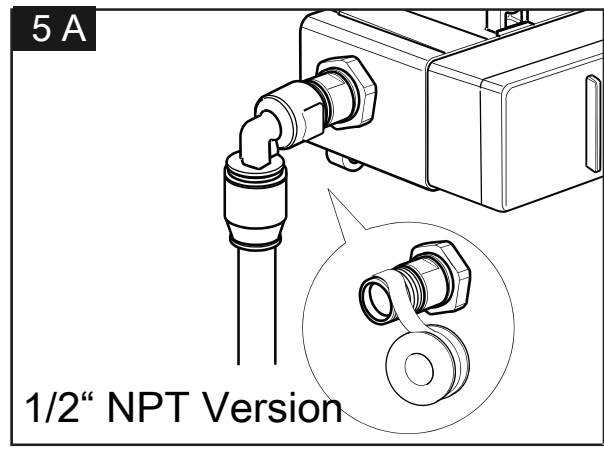
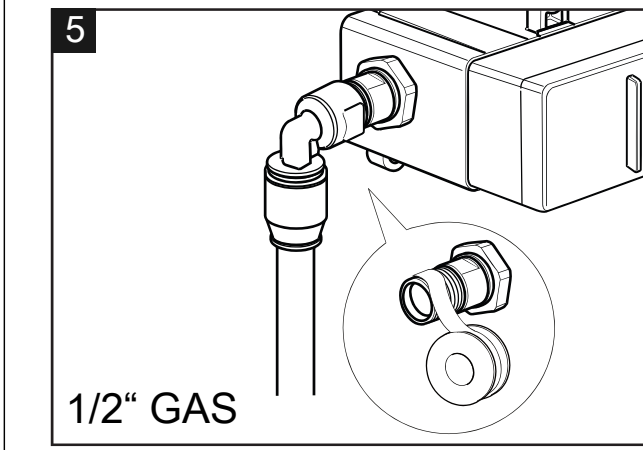
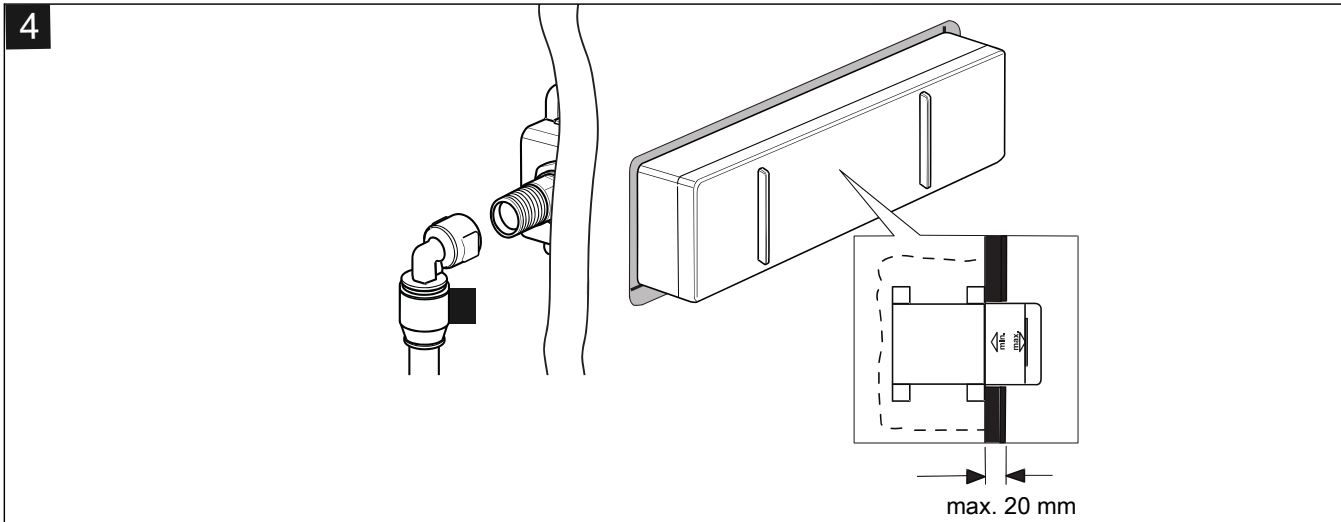
# Wave RC-250/80

## Body Shower

### INSTALLATION SEQUENCE continued

aquatica®

Function : Form : Fashion



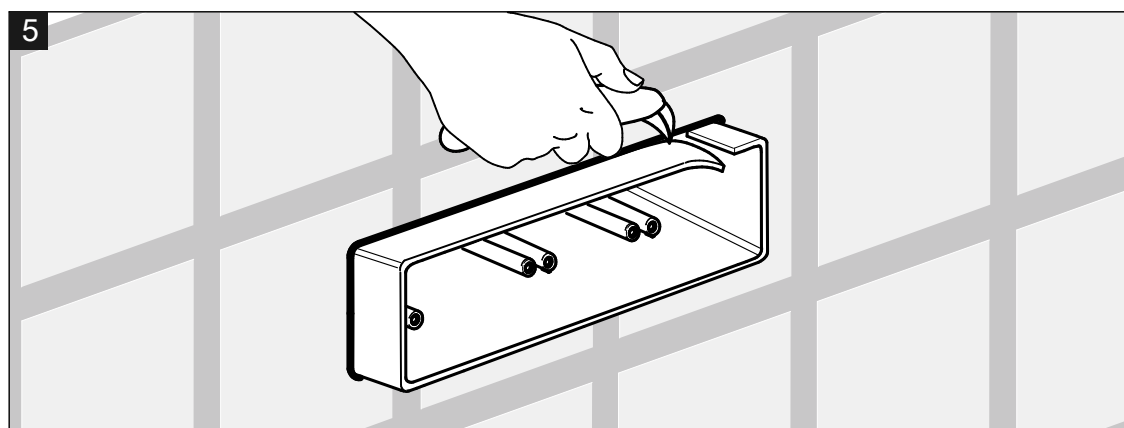
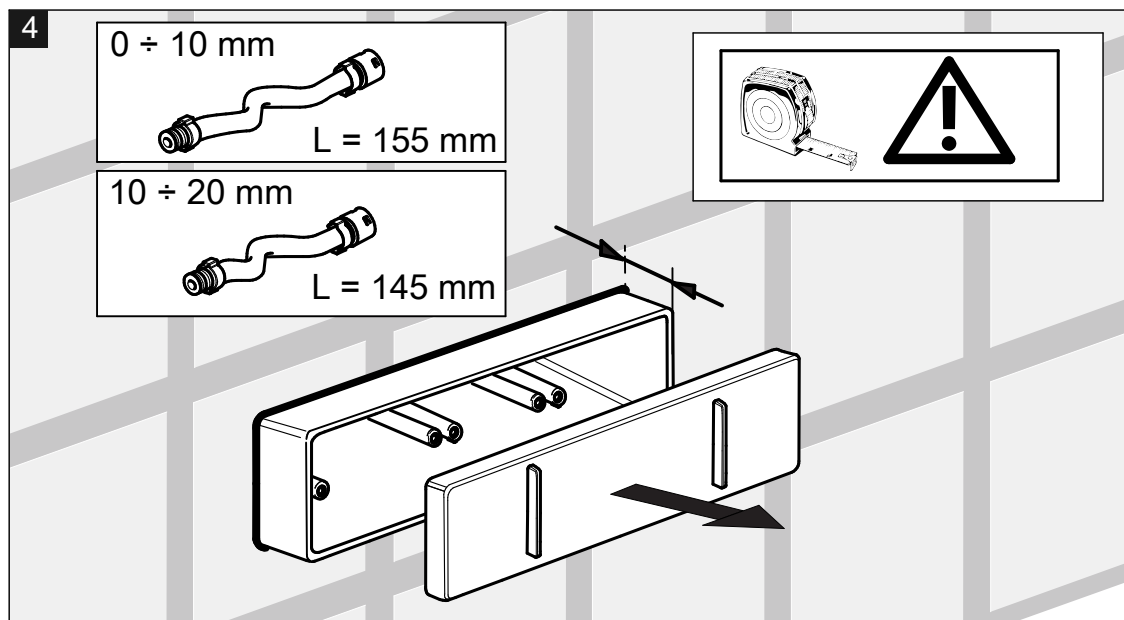
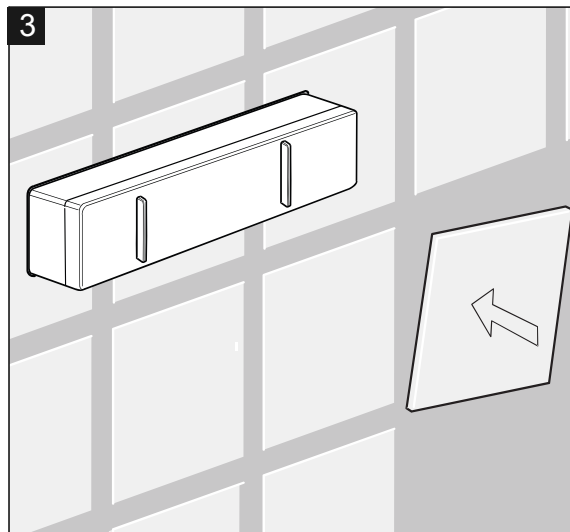
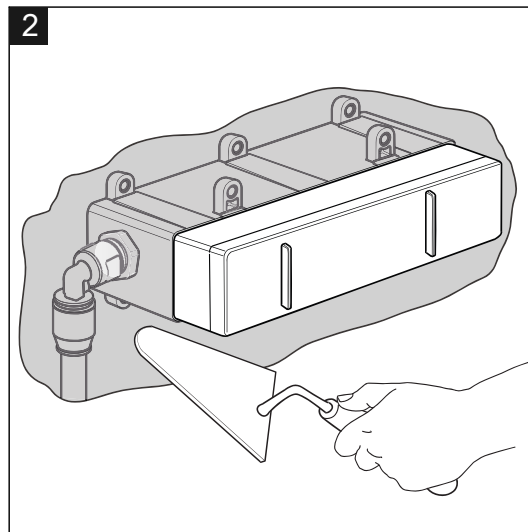
aquatica®

Function : Form : Fashion

# Wave RC-250/80

## Body Shower

### INSTALLATION SEQUENCE continued





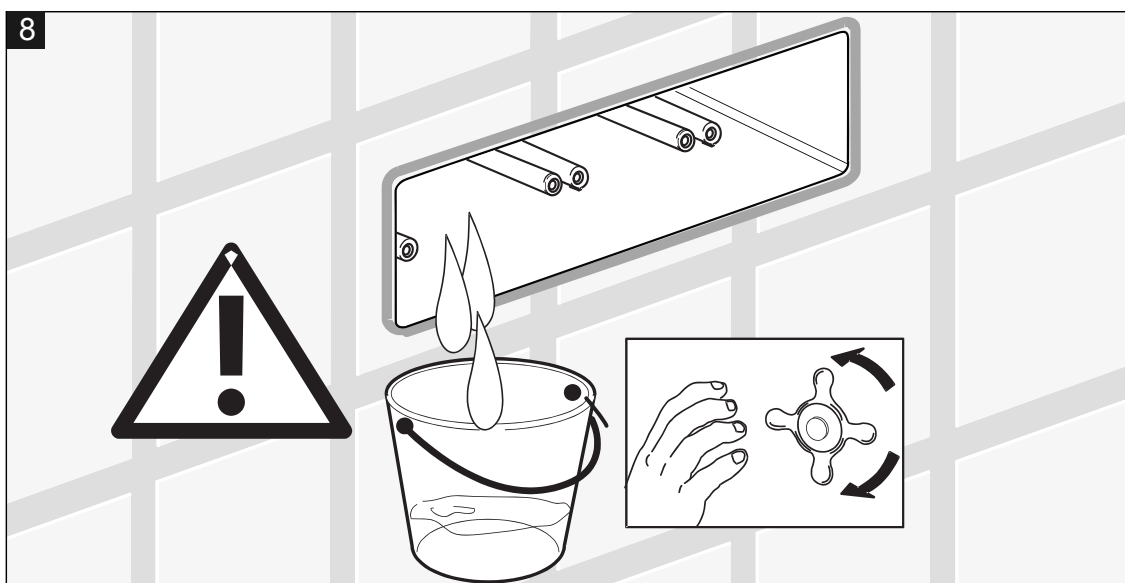
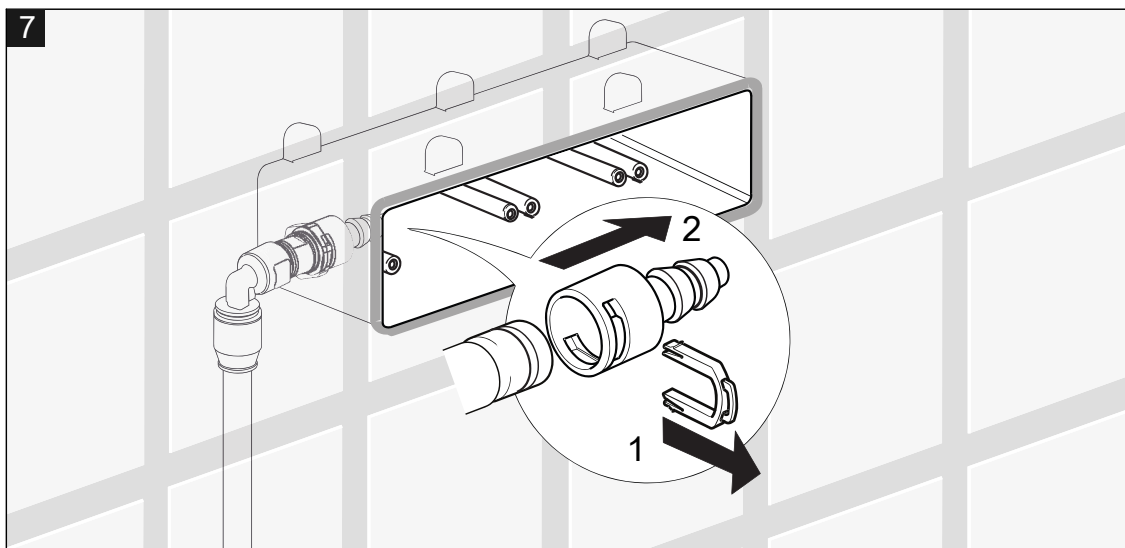
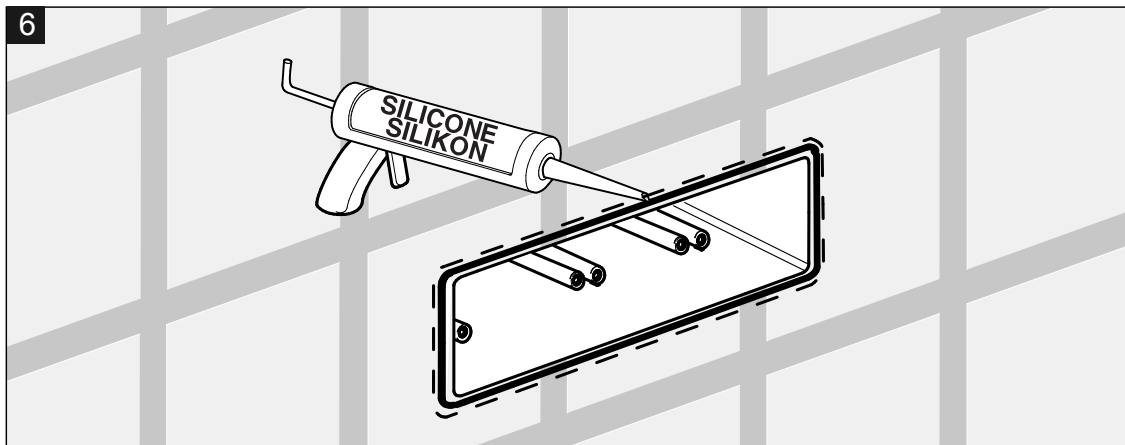
# Wave RC-250/80

Body Shower

INSTALLATION SEQUENCE continued

aquatica®

Function : Form : Fashion



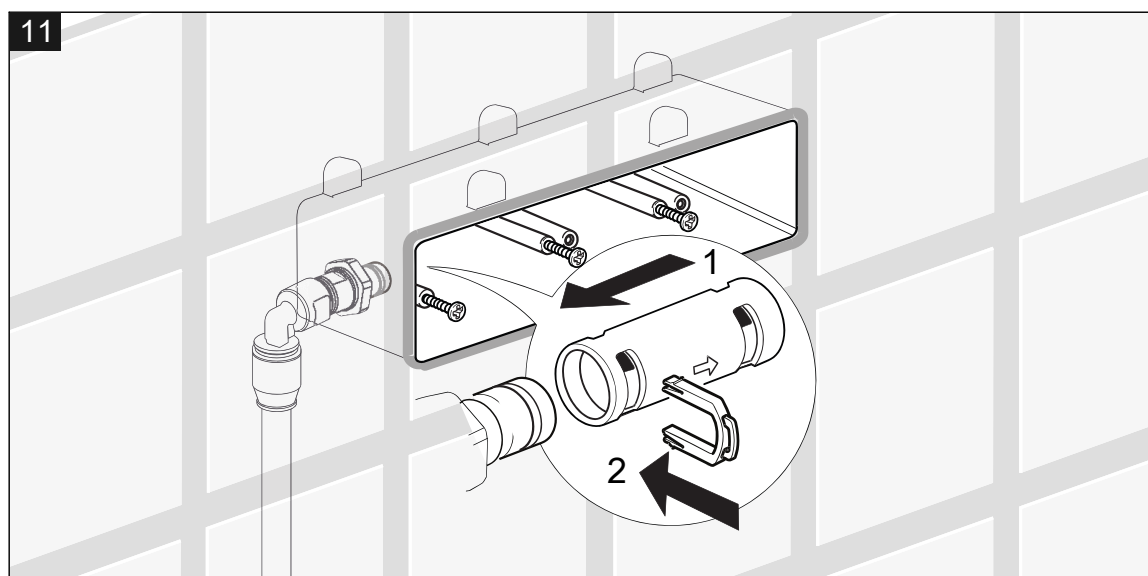
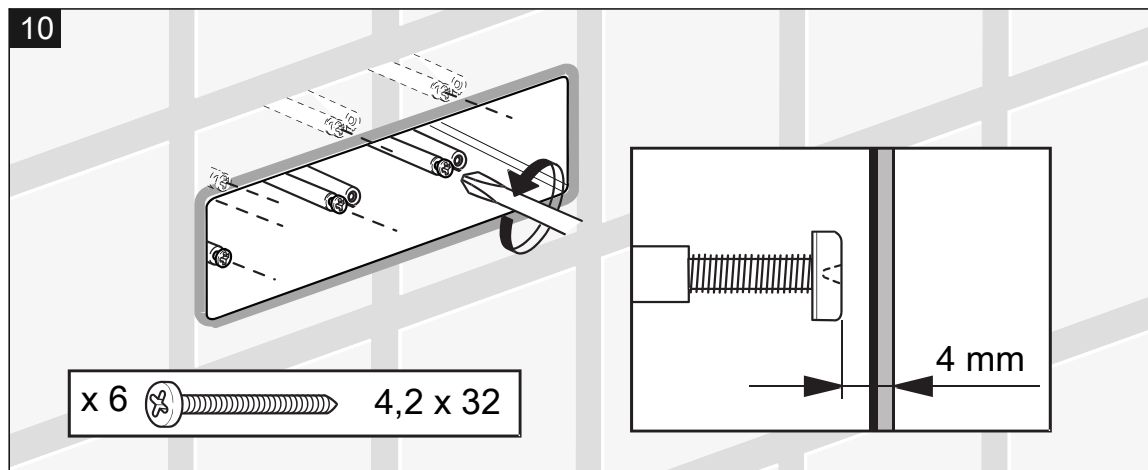
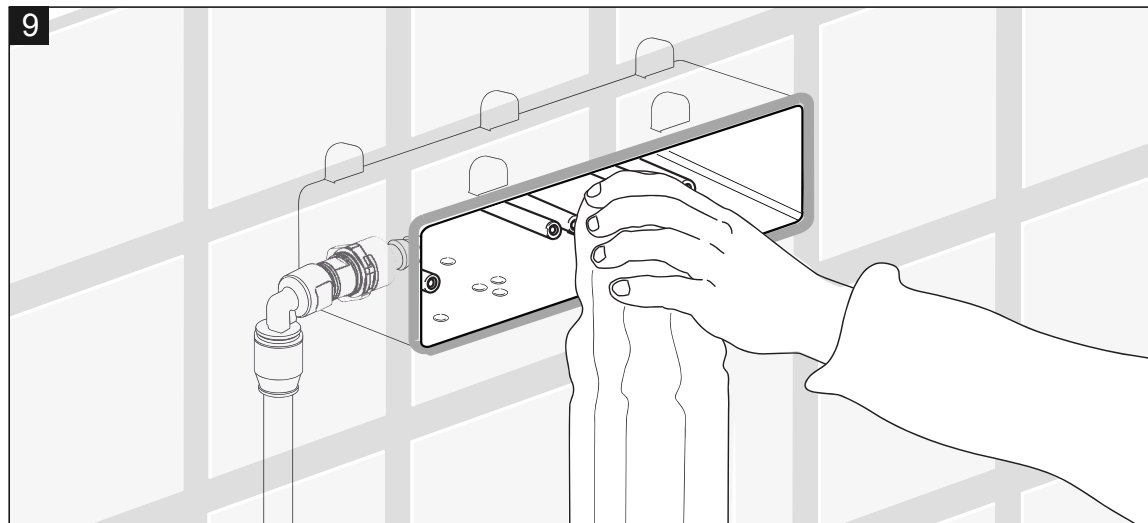
aquatica®

Function : Form : Fashion

# Wave RC-250/80

## Body Shower

### INSTALLATION SEQUENCE continued



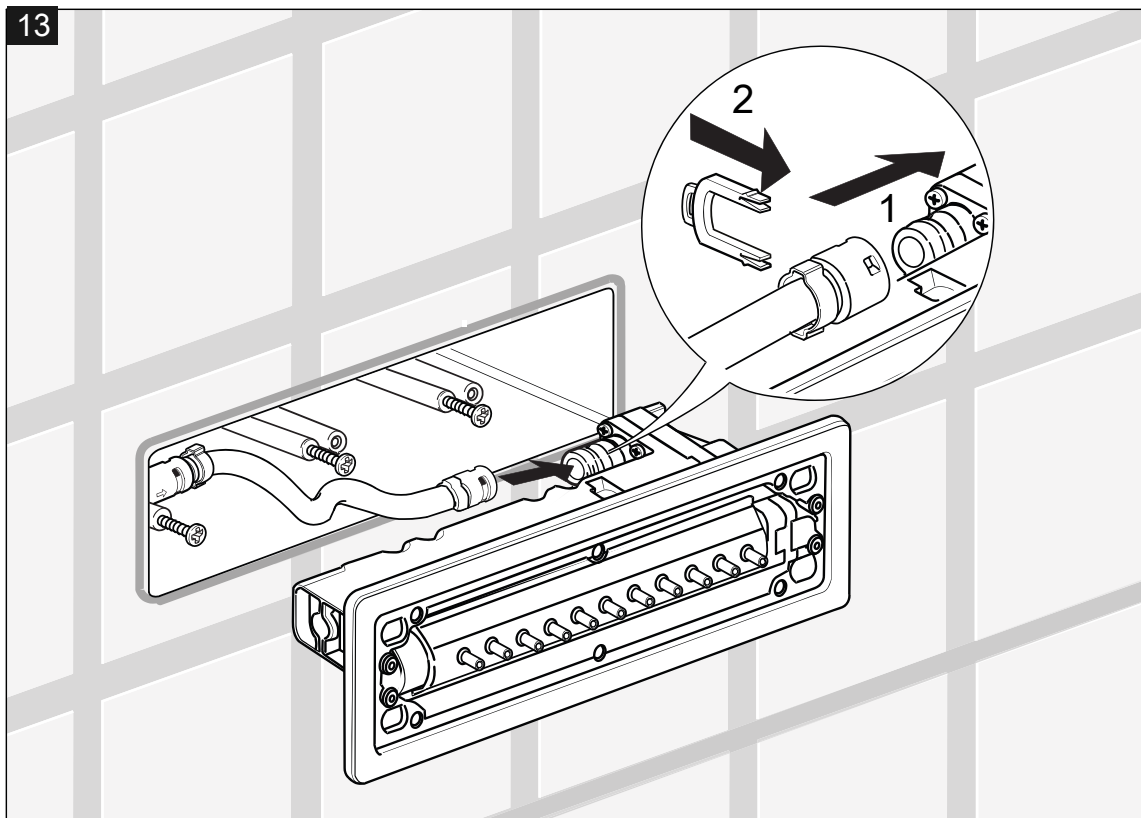
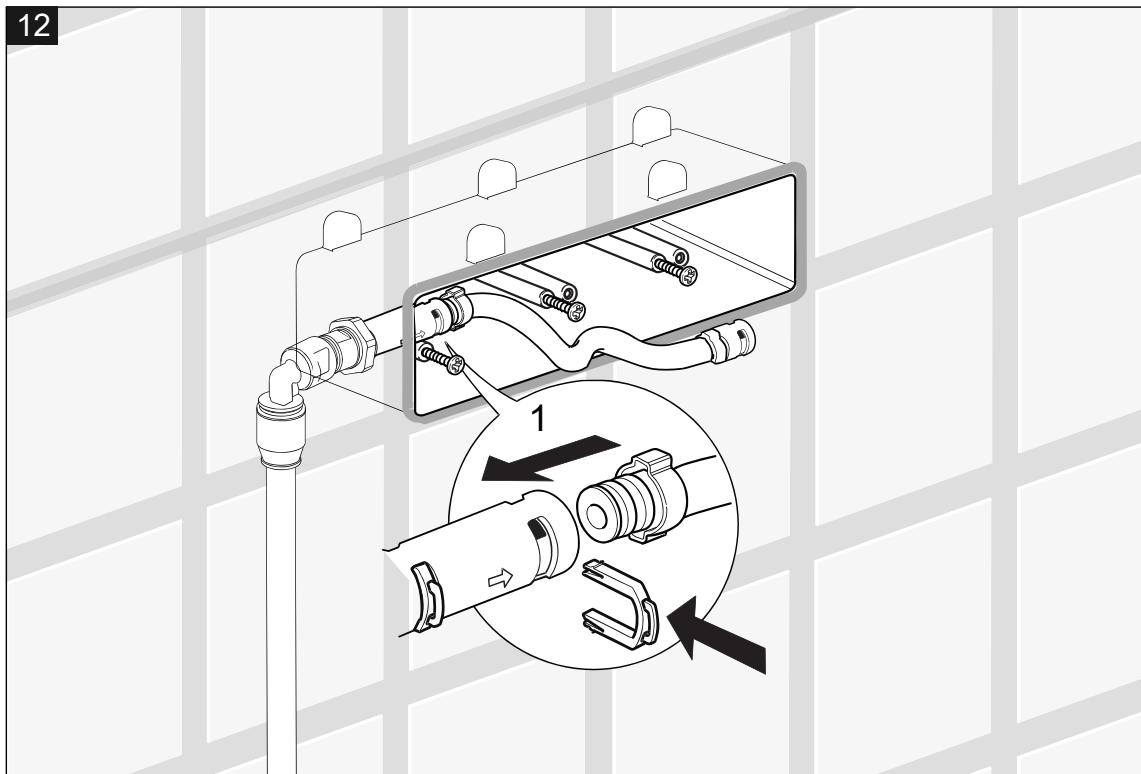
# Wave RC-250/80

Body Shower

INSTALLATION SEQUENCE continued

aquatica®

Function : Form : Fashion



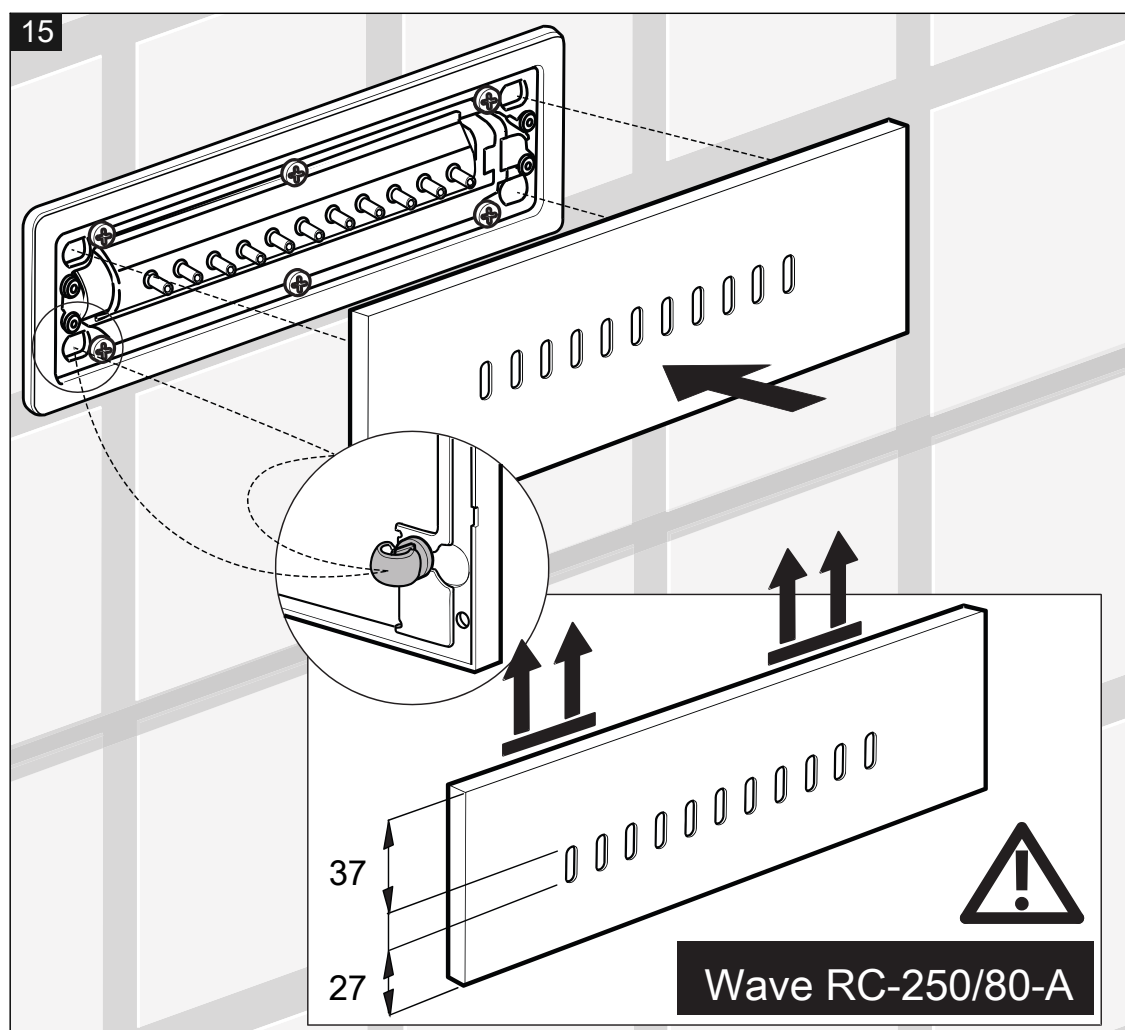
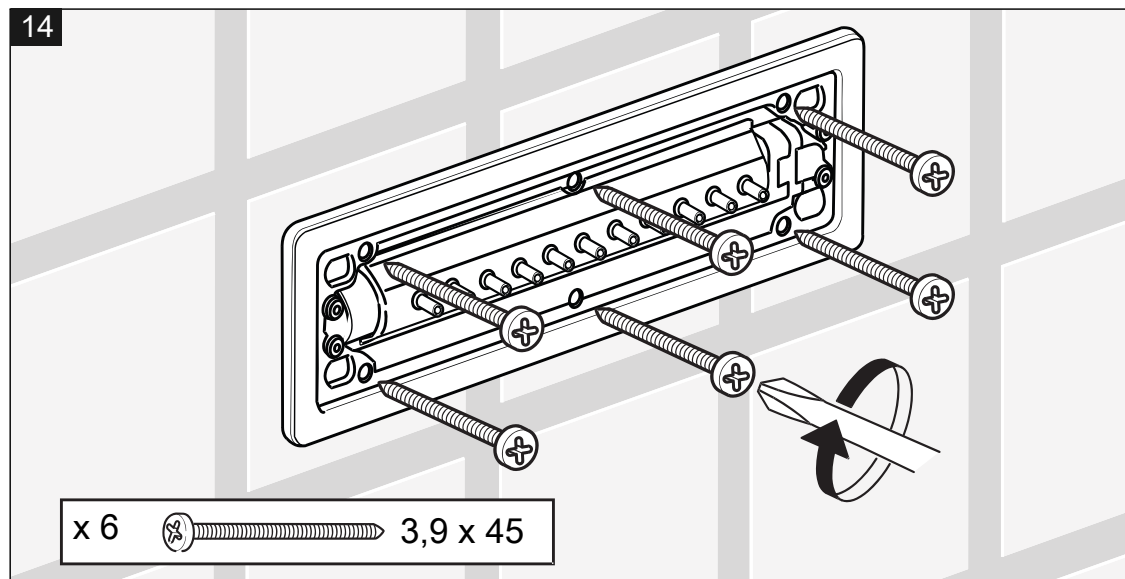
aquatica®

Function : Form : Fashion

# Wave RC-250/80

## Body Shower

### INSTALLATION SEQUENCE continued



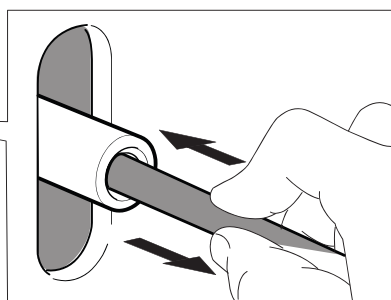
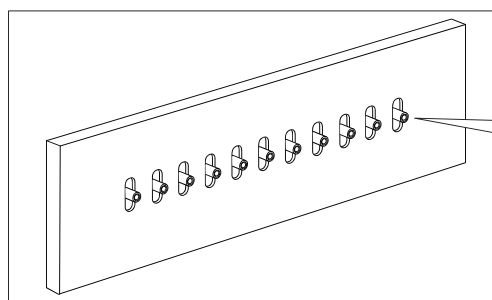
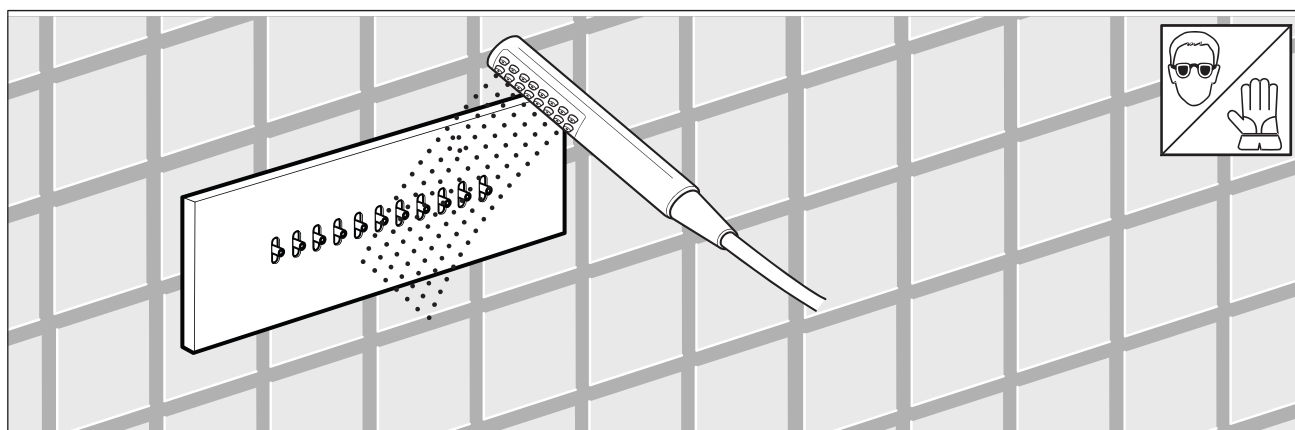
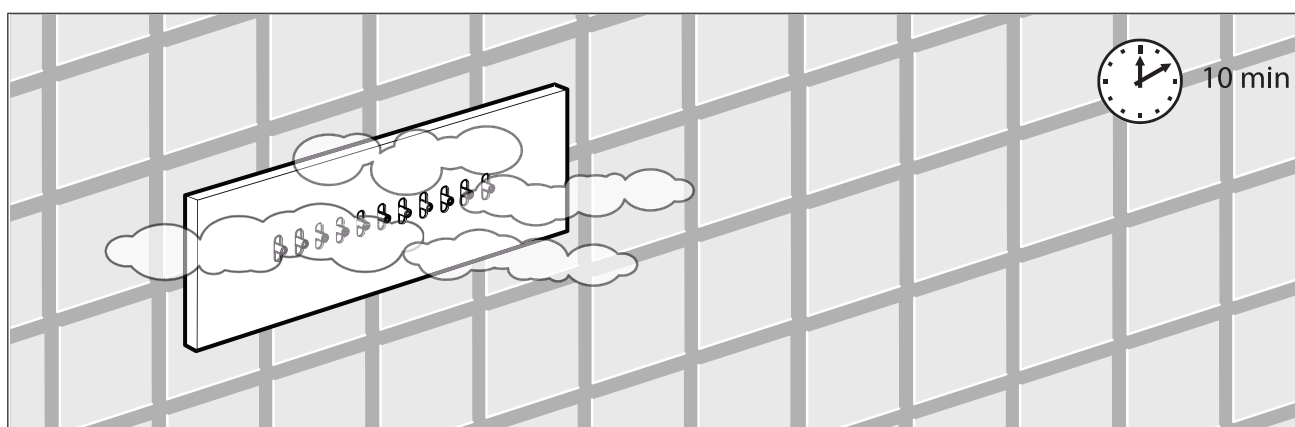
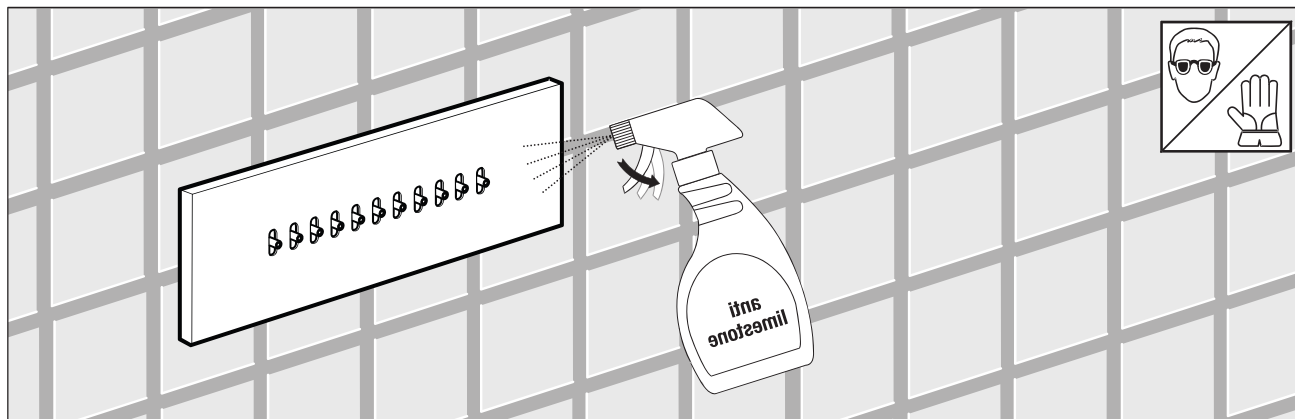
# Wave RC-250/80

Body Shower

CLEANING TIPS

aquatica®

Function : Form : Fashion



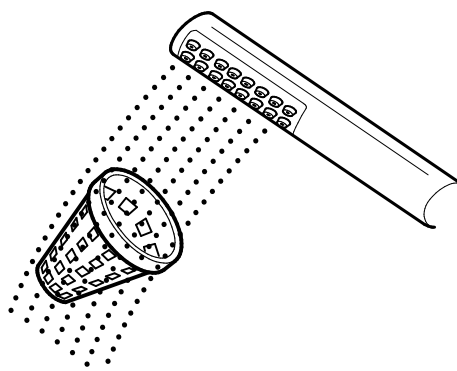
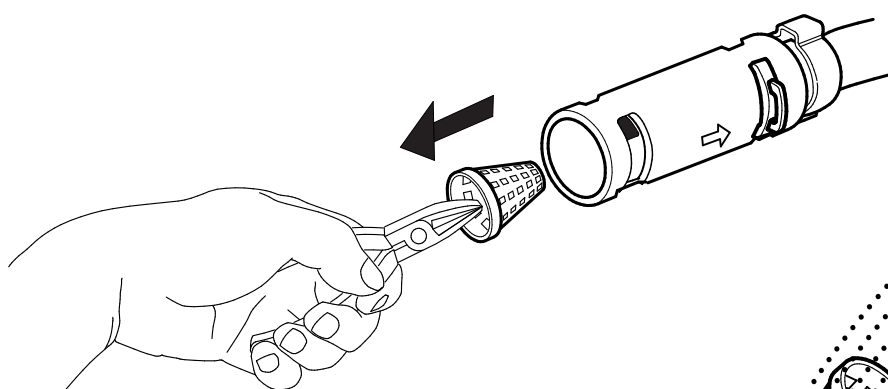
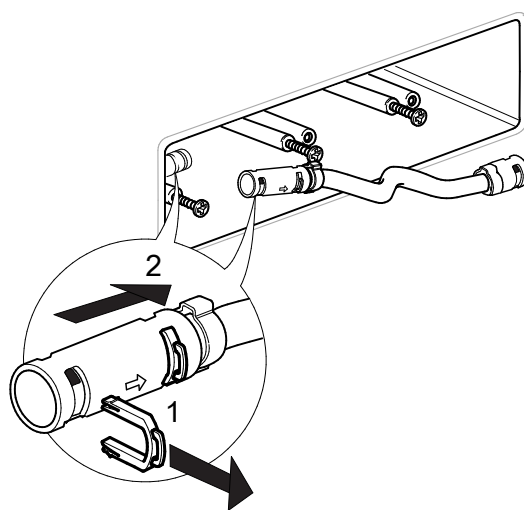
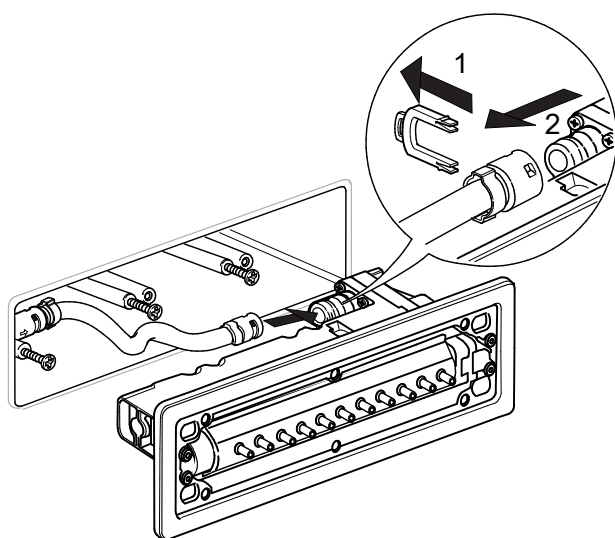
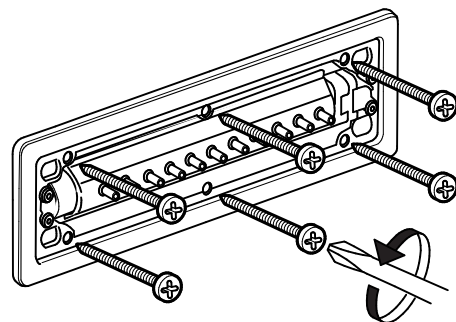
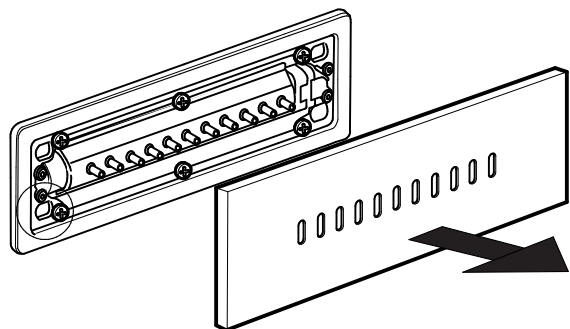
aquatica®

Function : Form : Fashion

# Wave RC-250/80

Body Shower

CLEANING TIPS continued



## Maintenance and warranty of the product

**IMPORTANT:** WE REMIND YOU THAT THE WARRANTY DOES NOT COVER DAMAGES CAUSED BY DEPOSITS OF LIMESTONE OR IMPURITIES OR IF THE DEVICE HAS UNDERGONE DIFFERENT TREATMENTS FROM THOSE SUGGESTED HERE.

To avoid damages to your bathroom or to the purchased equipment, please observe the following recommendations for use:

- Clean the plumbing before connecting the device.
- Periodically clean the water blade to avoid any limestone deposits that could compromise the good functioning.

**Advice:** The installation of a filter and water-softener system improves and extends the life of the devices and of the plant itself.

### **CLEANING OF METAL PARTS:**

For an easy cleaning of the metal parts of the product, simply use a soft cloth moistened in water and soap or an anti-limestone detergent.

To avoid spots caused by calcium in water, we advise drying with a cloth after each use.

**Advice:** Please use only natural soap-based detergents avoiding those with alcohol, hydrochloric acid or phosphoric acid, bleach, chlorine etc. and those containing abrasive powders.

The device is covered by 2 years warranty against manufacturing defects. **The warranty does not cover damages caused by:**

- Different installation and/or use from those suggested by the operating and maintenance manual.
- Incorrect preparation and implementation of the waterworks.
- The regular and physiological wear and tear for correct use.
- Damages caused by limestone deposits or impurities.

aquatica®

Function : Form : Fashion

